

BAUER BG 30 H

Drilling Rig
Base Carrier BT 75

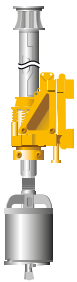
 Energy-Efficient
Power **EEP**



The Bauer drilling rig stand for multifunction equipment for a variety of foundation construction systems. The selection between two model ranges allows an optimum choice for differing project or transportation requirements.

Specific highlights of the drilling rigs are:

- High safety standards
- Environmental sustainability, economic efficiency and performance
- Easy transport and short rigging time
- High quality standard
- Long lifetime and excellent resale value



Kelly drilling



Cased Kelly drilling
Casing Installation with BTM



CFA
Continuous Flight
Auger Method



FDP
Full Displacement Piling
(standard or lost bit)



FoW
Front-of-wall method



VD
Vibro Displacement

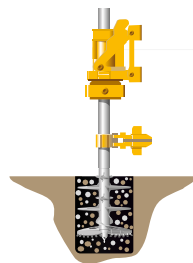


The Drilling Rig BG 30 H (BT 75)

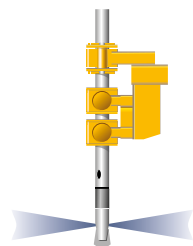
Max. drilling diameter:	2,500 mm
Max. drilling depth:	65.7 m
Max. torque:	300 kNm
Max. height:	24.9 m
Engine:	CAT C 9.3 B 310 / 340 kW



Cased Kelly drilling
Casing installation
with casing oscillator



SCM/SCM-DH
Single column mixing



HDI
Jet grouting



- 1 Undercarriage
- 2 Upper carriage
- 3 Main winch
- 4 Auxiliary winch
- 5 Crowd winch
- 6 Kinematics system
- 7 Mast
- 8 Mast head
- 9 Kelly bar
- 10 Rotary drive (KDK)
- 11 Drilling tool



Modern, ergonomic operator's cab

- FOPS compliant with additional protective roof guard
- Premium operator seat, air-sprung, heatable and air-conditioned
- Joystick controls with high functionality
- B-Drive for multi-functional potentiometer input

Powerful CAT engines

- C 9.3 B 310 kW (UN/ECE R96*) or C 9.3 B 340 kW (EU Stage V, EPA/CARB Tier 4 final)
- Diesel particulate filter in exhaust emission EU Stage V, EPA/CARB Tier 4 final
- Low noise emission
- Worldwide CAT service partners



Safety equipment

- Integrated service platforms in the upper carriage for easy and safe maintenance work
- Retractable grating on side of cab
- Guardrails on the upper level (foldable for transport)
- Rear view cameras

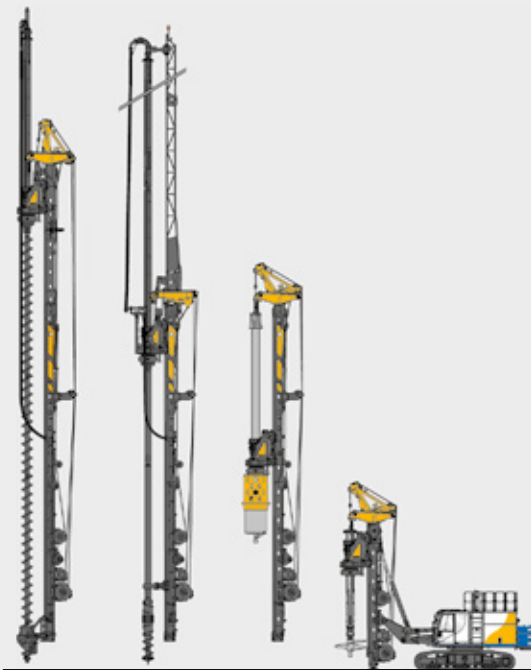


- Reduction of fuel consumption by up to 30%
- Increased productivity through improved efficiency
- Significantly reduced noise levels
- Tried and proven suitability for practical application
- Optimized parallel operation of main and auxiliary consumers

* Exhaust emission equivalent EPA Tier 3 and EU Stage III A

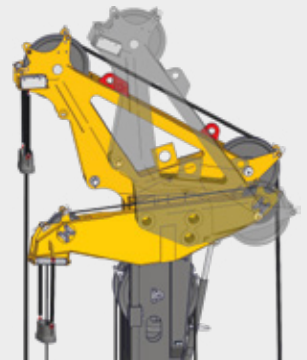
Variable stackable counterweight elements

- Constant tail radius (irrespective of number of counterweights)
- Low weight of individual elements (4.9 t or 2.5 t)
- Flexible arrangement for various applications
- Mounting and demounting possible with the drilling rig
- Transport of the machine possible without removing counterweights



Flexible mast concept

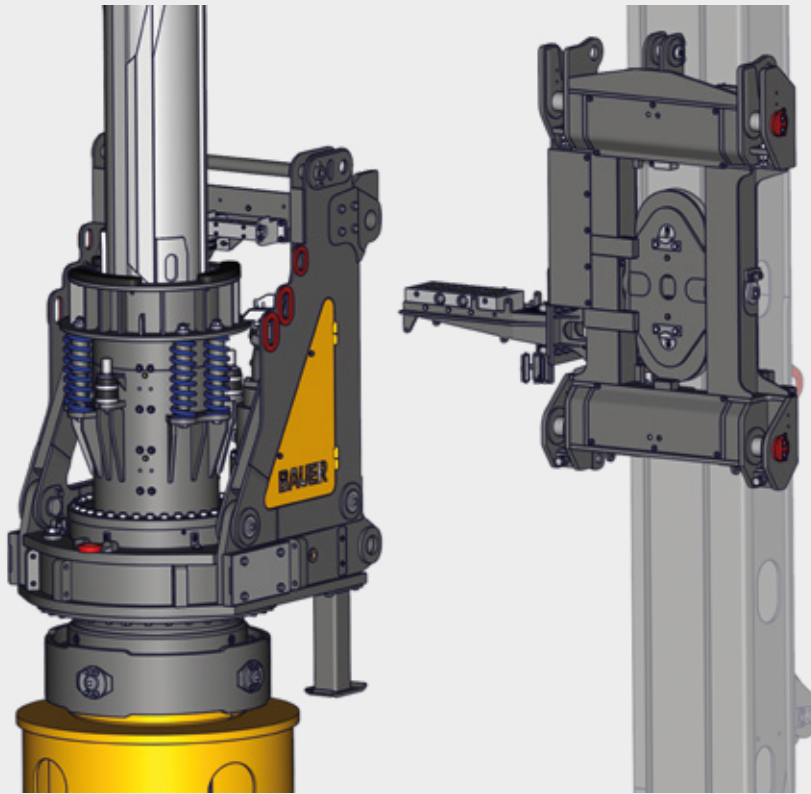
- Extension package Single Pass Extreme (SPEX)
- Multi-sectional mast
 - Low-head version
 - Giant drill version
 - Optimized transport length
- Upper mast extension 3 m (hydraulic foldable and lockable)
 - Simple and secure attachment, no working at heights unsecured
 - Reduced transport length
- Lattice mast extension for 20.5 m follow-up stroke
- Vario-mast head
 - Mast head for drill axis 1,000 mm, expandable to 1,400 mm
 - Increased stroke for Kelly bars when using an upper Kelly guide
 - Tilttable main jib for single-pass processes and optimized transport



Remote control for rigging the machine

- The remote control can be used to perform numerous rigging functions outside the danger zone, such as moving the drilling rig, telescoping the under carriage, etc.
 - Operation within sight of the controlled rigging functions
 - Rugged and compact wireless remote control Multi with LCD screen
 - Lockable storage box for the remote control can be accessed from the ground





Kelly set-up

- Long Kelly guide
- Integrated shock absorbing spring system
- Kelly visualization (see page 11)
- Enhanced drilling performance
- High operation comfort
- Reduction of wear on Kelly bars and drive keys

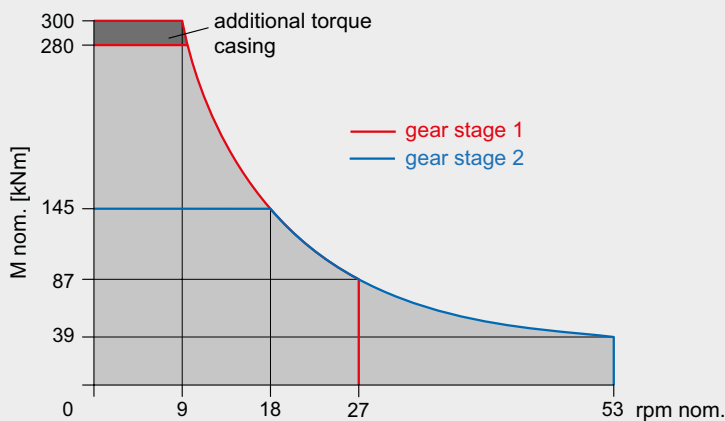
Rotary drive KDK 300

- Optional single gear drive or multi gear drive
- Max. torque 300 kNm
- Max. speed 53 rpm
- Various modes of operation, partially selectable speed of rotation and torque

Hydraulically operated pin connection on the crowd sledge

- Pin connection controlled via the remote control
- Simple and secure attachment of the rotary drive, no working at heights unsecured

KDK 300 S



Base carrier BT 75

Standard

- Removable counterweights
- Retractable grating steps next to the operator's cab
- Energy-efficient power (EEP)
- Premium operator's seat
- Cameras for rear area monitoring
- Integrated service platform
- Remote control Basic

Optional

- Counterweight, variably adjustable
- Guardrails on the upper level (foldable for transport)
- High-pressure cleaner with water tank
- Rear support unit
- Compressor 1,000 l/min
- Generator 13
- Low-temperature package / Low-temperature package plus
- Cab space heater with automatic timer
- Remote control Multi
- Operator seat with air-condition
- Weather protection

Drilling rig attachments

Standard

- Main winch with hydraulic free-wheel control
- Swivel for main rope
- Masthead foldaway for transport
- Pivoted anchor point for main and auxiliary rope

Optional

- Vario masthead
- Extension of drill axis to 1,400 mm
- Hydraulically operated pin connection on the crowd sledge for easy mounting and removal of the rotary drive
- Mast support
- Mast extension 3 m, hydraulically foldable and lockable
- Three-sectional mast for Low Head and Giant Drill applications
- Additional auxiliary winch 20 kN
- Attachment of casing oscillator up to BV 1500
- Auger cleaner attachment for Kelly system
- Passenger transportation system with car attachment

Rotary drive

Standard

- Rotary drive KDK 280 S (switch drive)
- Kelly equipment for external Kelly casing 419 mm
- Integrated Kelly shock absorbing system
- Cardan joint

Optional

- Torque converter BTM 720 K for Kelly drilling
 - Torque 400 kNm (nominal)

Measurement and control technology

Standard

- Automatic mast alignment with memory-recall
- Crowd stroke monitoring
- Feed rate control
- Electronic mast reach limiter
- Slewing Angle Warner

Optional

- Electronic load sensing for auxiliary winch
- Recording of concrete pressure and volume for Single-Pass processes
- Software modules for further applications
- Adaptive Kelly Speed assistant
- Automatic drilling and extraction control for Single-Pass processes
- BAUER Enhanced CAN Interface (BECI)
- Crowd Plus
- Stability Plus
- Slewing Angle Limiter

Stability Plus

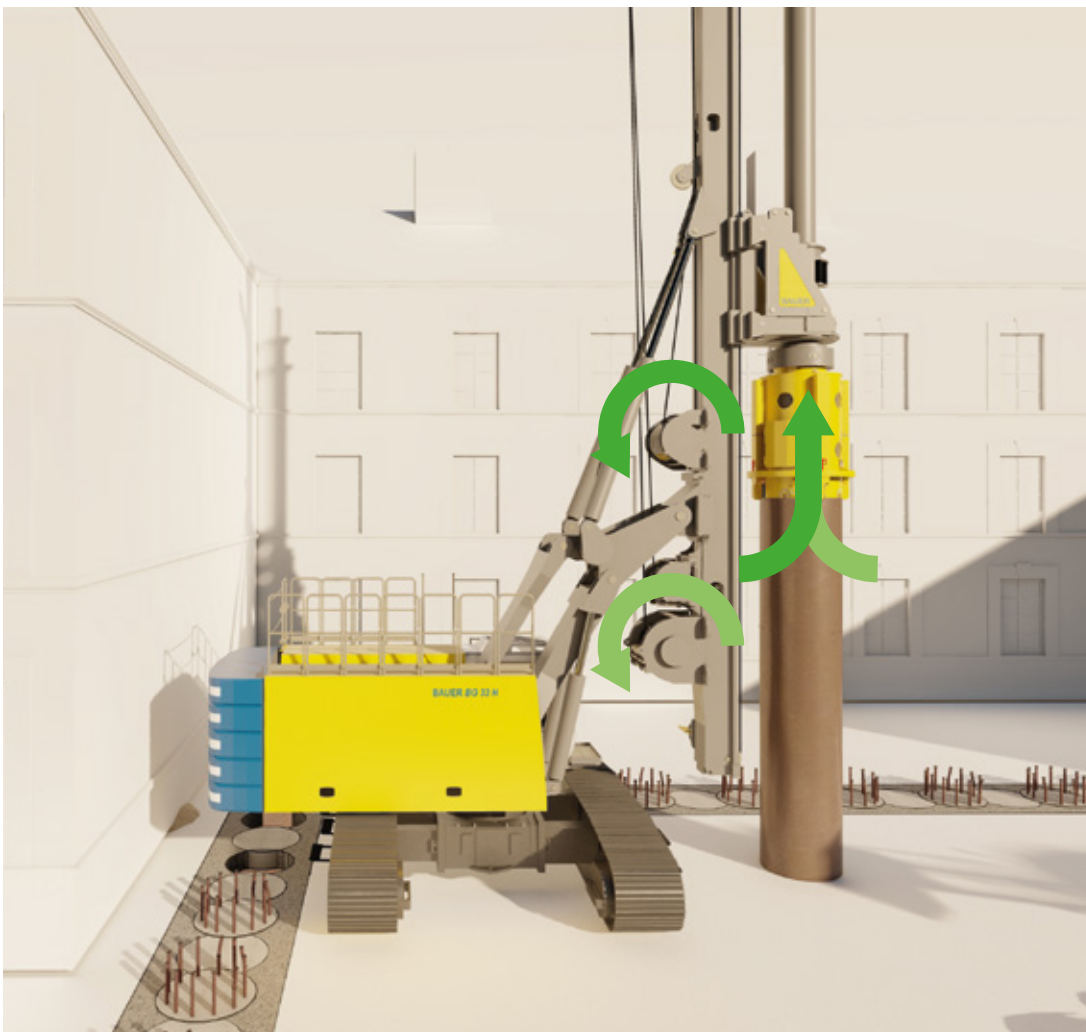
- Safe work even in the extended range of outreach (safety sensors monitor swinging speed and rotary drive position)
- The usual agility of the drilling rig during Kelly drilling with up to 3 rpm is fully maintained
- Enhanced performance thanks to extended outreach during drilling (light green area)
- Laborious relocation to reach drilling locations, particularly in corners, is avoided. This enables simplified handling on tight sites
- The strain on the equipment operator is reduced
- Display of permitted equipment parameters on the B-Tronic in real time
- Easy data transfer of stability values to B-Tronic
- All stability values calculated for the equipment are saved in B-Tronic and can be selected and activated quickly and easily



Only for reference to show working principle

Crowd Plus

- Increased retraction force for extracting casing pipes by coupling the main and crowd winch
- Control via a single joystick
- Single-line pulling with the main winch possible
- Function only permitted when using a suitable pulling plate (pulling plate not included)
- Full single-line main winch pulling force can only be activated when using the mast support (reduced pulling force without mast support)
- Effective extension for cased kelly drilling



Only for reference to show working principle

B-Tronic

The BAUER B-Tronic system allows completion of construction tasks in a reliable and accurate manner, even under extreme operating conditions.

- The high-resolution touchscreen display ensures excellent user-friendliness
- The display can be optimally adapted to the operating situation and the amount of light present by changing the brightness level, the color scheme and the day / night mode
- The main parameters such as pump pressure, torque and drilling depths can be viewed at a glance



B-Drive

The B-Drive is a central operating and visualization system

- B-Drive combines adjustable potentiometer values on one display
- Ergonomic positioning of the display on the right column of the operator's cab

Tablet

The tablet is the multi-functional tool for the Bauer machine

- Online access to the customer portal, handbooks, equipment management systems and much more
- Standard internet connection via the DTR module, which is located in the machine
- The operator's screen can be mirrored live on the tablet to track the operating process



Device networking

DTR module

- The DTR module allows equipment and production data to be made available to a wide variety of users

WEB-BGM

- WEB-BGM is a software used to retrieve equipment data and establish the locations of various machines, even if you are not on site

Report of production data

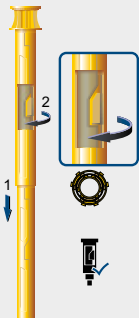
- Standardized reports for the documentation of drilling progress and verification of performance and quality



Adaptive Kelly speed assistant

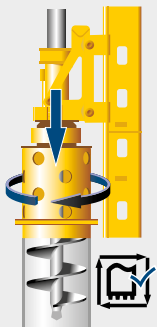
The assistant raises and lowers the Kelly bar safely and quickly and allows an easy operation. The automatic control of the main winch reduces the speed at the transition points of the Kelly sections.

This provides maximum safety with minimum wear. The permanent monitoring of the parameters prevents a locked Kelly bar from being raised or lowered accidentally and thus causing damage.



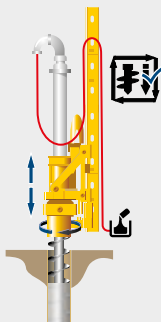
Kelly visualization

Display of the locking recesses, as well as representation of the controlled extension and retraction of the Kelly bar on the B-Tronic system. The rapid approach of the locking position results in a considerably enhanced drilling performance. In addition, the level of wear that the Kelly bar and drive keys are subject to is significantly reduced.



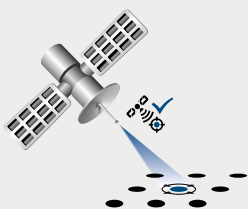
Kelly drilling assistant

Saves the current crowd speed and the speed of the rotary drive. It enhances drilling performance with simultaneous hands-free operation. Drilling parameters can be adjusted during the automated drilling procedure.



Automatic drilling and extraction control for Single-Pass processes

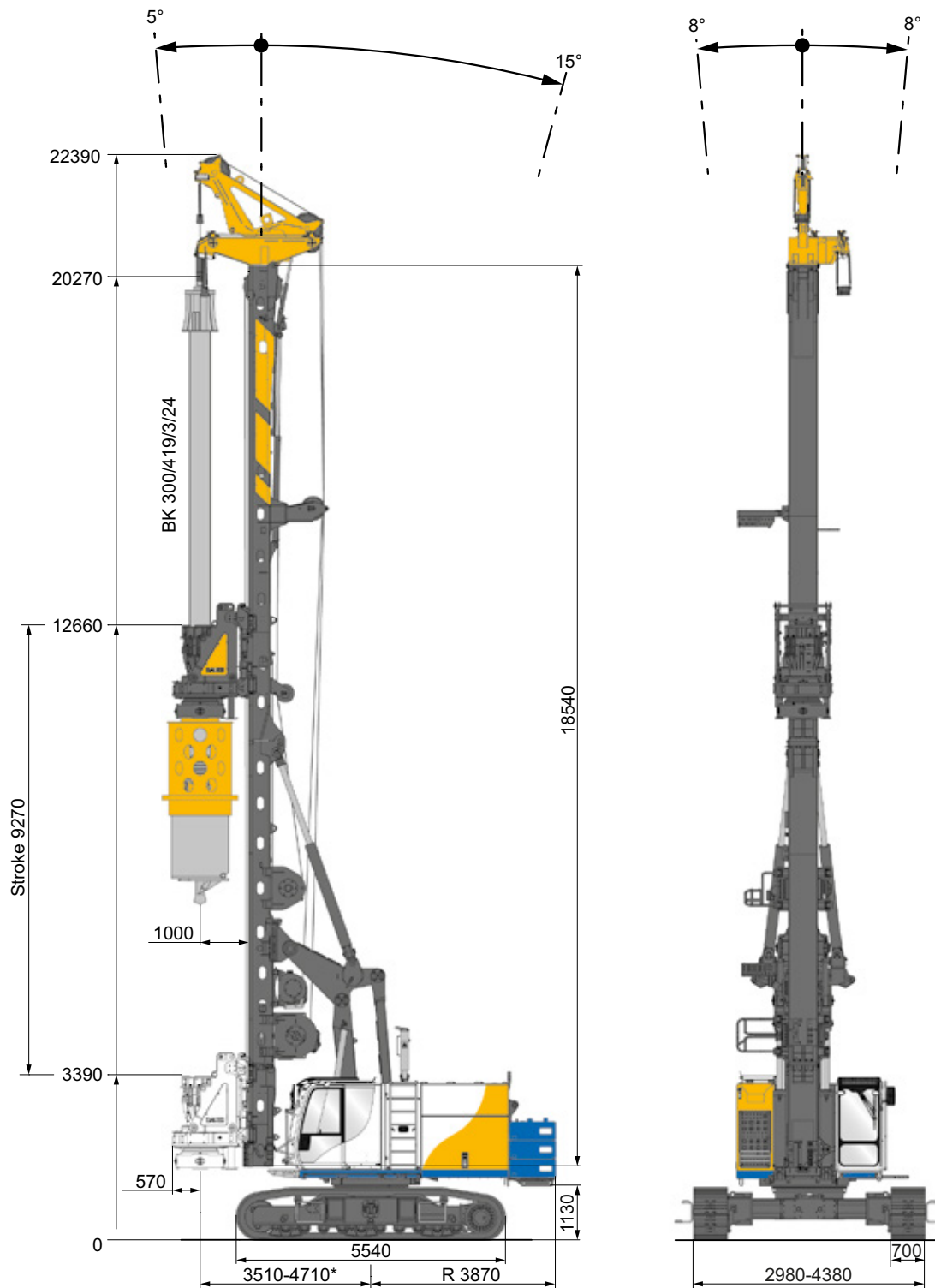
The system controls the drilling and / or extraction speed of the crowd system and enables hands-free operation. This ensures the production of a high-quality pile while simultaneously minimizing the amount of concrete.



Satellite-based positioning

The BAUER Assistant Positioning System (B-APS) allows the position of a bored pile to be located extremely accurately. Documentation is provided for the nominal and actual coordinates, as well as the corresponding accuracy of each bored pile. Manual marking of the piles is no longer required.

Numerous other assistance systems are available in our portfolio.

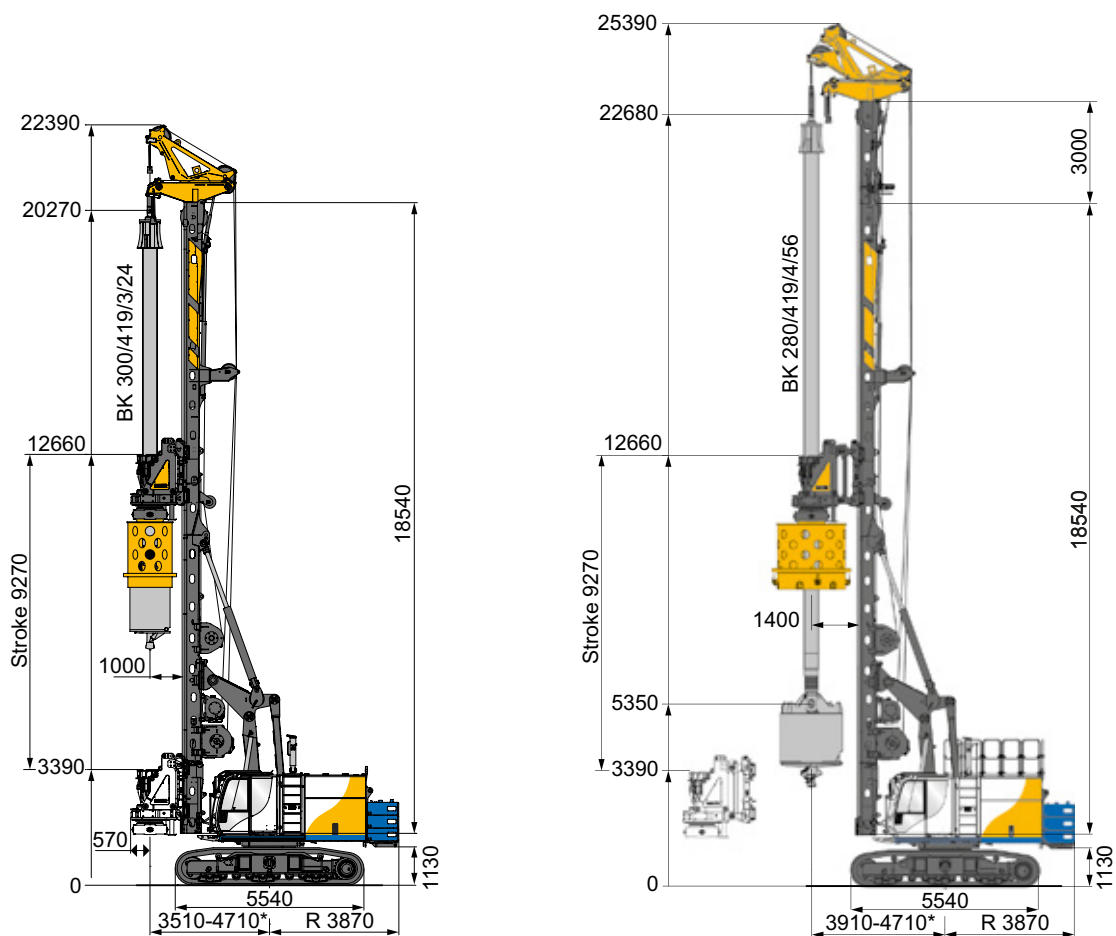


Operating weight 83,8 t
(as shown)

* depending on equipment

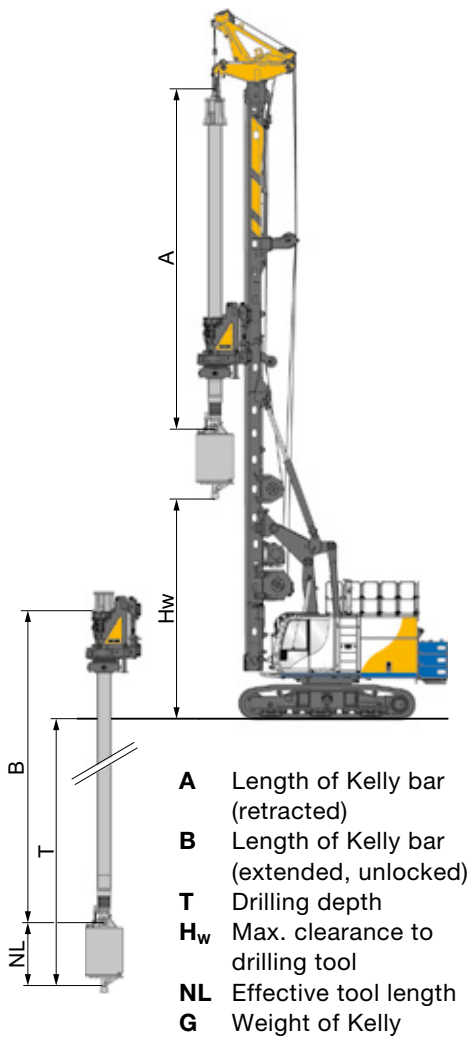
Rotary drive (selectable)		KDK 300 S	
Torque (nominal) for casing operation at 350 bar			300kNm
Torque (nominal) for drilling at 350 bar			280 kNm
Max. speed of rotation			53 rpm
Crowd winch			
Max. sledge stroke with 3 m mast extension			18,700 mm
Crowded force push effective / nominal			330 / 423 kN
Crowded force pull effective / nominal			330 / 423 kN
Extraction force Crowd Plus effective / nominal with Mast support unit			545 / 638 kN
without Mast support unit			460 / 540 kN
Rope diameter			24 mm
Speed (down / up)			9.9 m/min
Fast speed (down / up)			32 m/min
Main winch		M6 / L3 / T5	
Line pull (1st layer) effective / nominal			215 / 270 kN
Rope diameter			28 mm
Line speed (max.)			85 m/min
Auxiliary winch (selectable)		M6 / L3 / T5	
Line pull (1st layer) effective / nominal	80 / 100 kN		100 / 125 kN
Rope diameter			20 mm
Line speed (max.)			55 m/min
Base carrier (EEP)		BT 75	
Engine			CAT C 9.3 B
Rated output ISO 3046-1	310 kW @ 1,850 rpm		340 kW @ 1,850 rpm
Exhaust emission	UN/ECE R96*		EU Stage V EPA/CARB Tier 4 final
Diesel tank capacity / AdBlue Tank	730 / - l		730 / 34,5 l
Sound pressure level in the cabin (EN 16228, Annex B)			LP _A 80 dB (A)
Sound power level (2000/14/EC u. EN 16228, Annex B)			LW _A 109 dB (A)
Hydraulic pressure			350 bar
Hydraulic oil tank capacity			650 l
Flow rates			2 x 250 + 1 x 400 + 1 x 135 l/min
Under carriage (selectable)		UW 85	
Crawler type			B 7
Traction force effective / nominal			546 / 643 kN

* Exhaust emission equivalent EPA Tier 3 und EU Stage III A



	Basic version	Upgraded version
Mast extension	without	3 m
Drill axis	1,000 mm	1,400 mm
Max. drilling diameter		
uncased	1,700 mm	2,500 mm
cased	1,400 mm	2,200 mm
Operating weight, approx.	83.8 t	101.7 t
with Kelly	3/24	4/56
with casing drive adapter	1,300 mm	2,000 mm
with bucket	1,180 mm	1,830 mm
with counterweight*	9.9 t	14.7 t

* depending on equipment



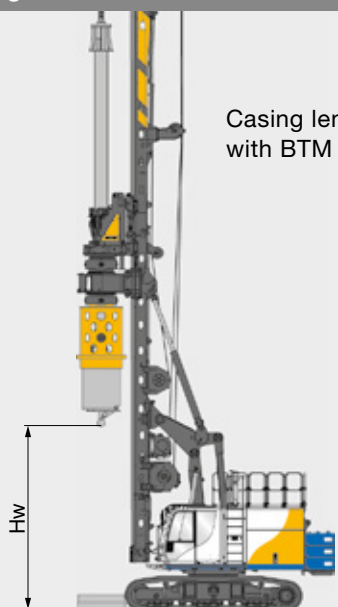
Drilling depth – uncased Kelly drilling, drill axis 1,000 mm

				without mast extension	3.0 m mast extension		
3-part Kelly	A (m)	B (m)	G (kg)	H _w (m)	T (m)	H _w (m)	T (m)
BK/300/419/3/24	10.7	26.4	5,500	7.4	24.9	7.9	24.9
BK/300/419/3/27	11.7	29.4	5,900	6.4	27.9	7.9	27.9
BK/300/419/3/30	12.7	32.4	6,350	5.4	30.9	7.9	30.9
BK/300/419/3/33	13.7	35.4	6,800	4.4	33.9	7.4	33.9
BK/300/419/3/36	14.7	38.4	7,200	3.4	36.9	6.4	36.9
BK/300/419/3/39	15.7	41.4	7,700	2.4	39.9	5.4	39.9
4-part Kelly							
BK/280/419/4/36	12.3	38.2	8,350	5.7	36.7	7.9	36.7
BK/280/419/4/40	13.3	42.2	8,950	4.7	40.7	7.7	40.7
BK/280/419/4/44	14.3	46.2	9,600	3.7	44.7	6.7	44.7
BK/280/419/4/48	15.3	50.2	10,300	2.7	48.7	5.7	48.7
BK/280/419/4/56	17.3	58.2	11,550	0.7	56.7	3.7	56.7
BK/280/419/4/64	19.3	66.2	12,800	-	64.7	1.7	64.7

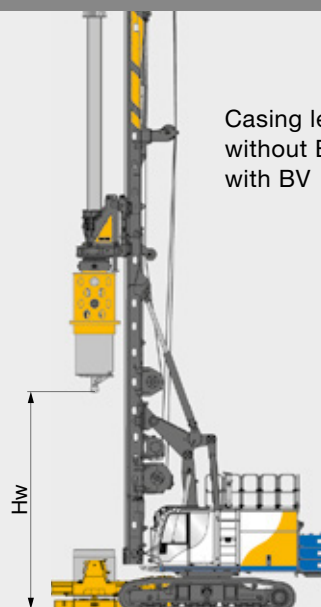
Drilling data have been determined with an effective tool length of NL = 1.9 m and with the mast at a minimum operating radius. These data only apply for the use of Bauer tools.

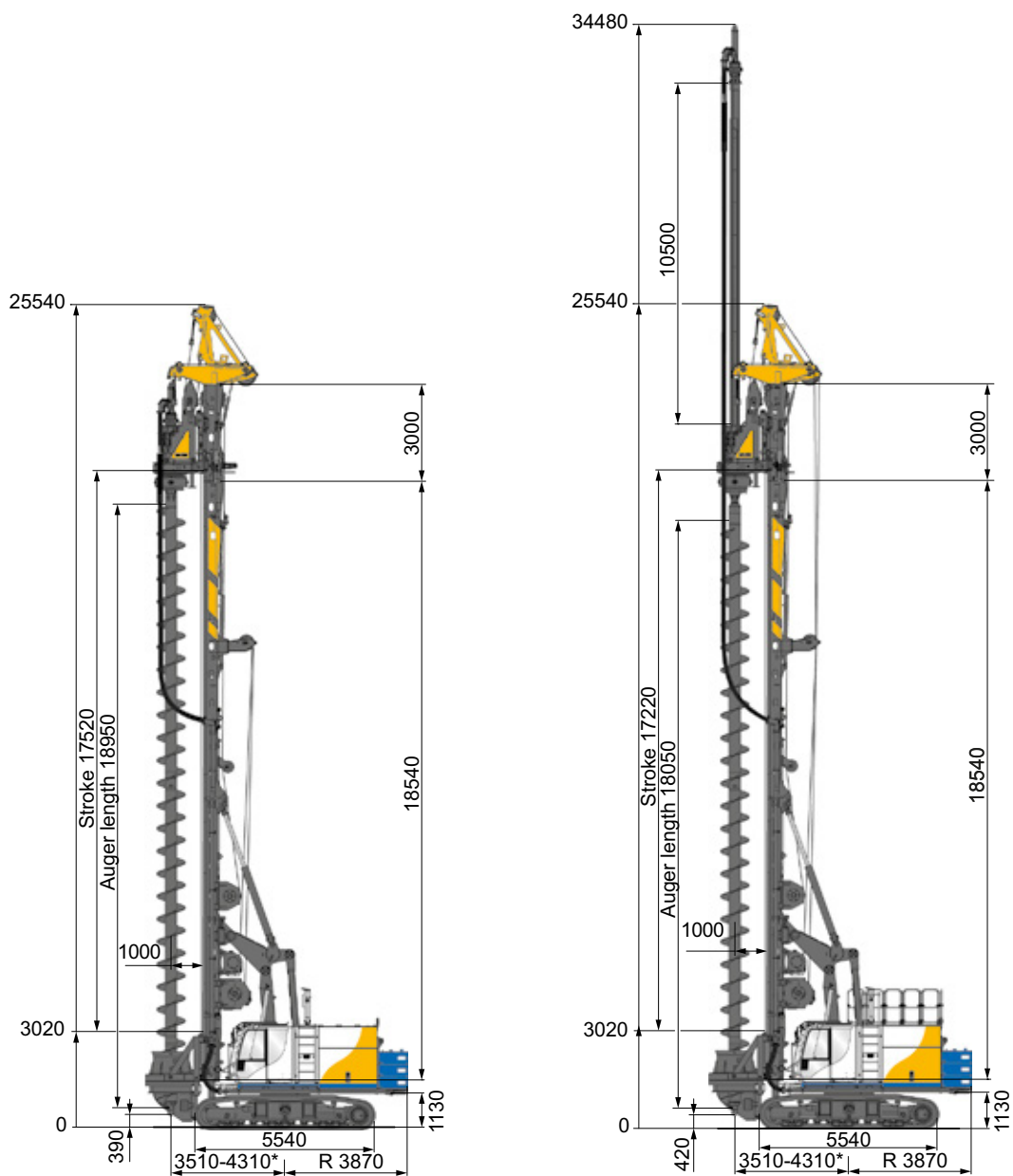
Other drilling depths, drilling diameters and Kelly versions are available on request.

Torque multiplier BTM 720 for a torque of 400 kNm for casing



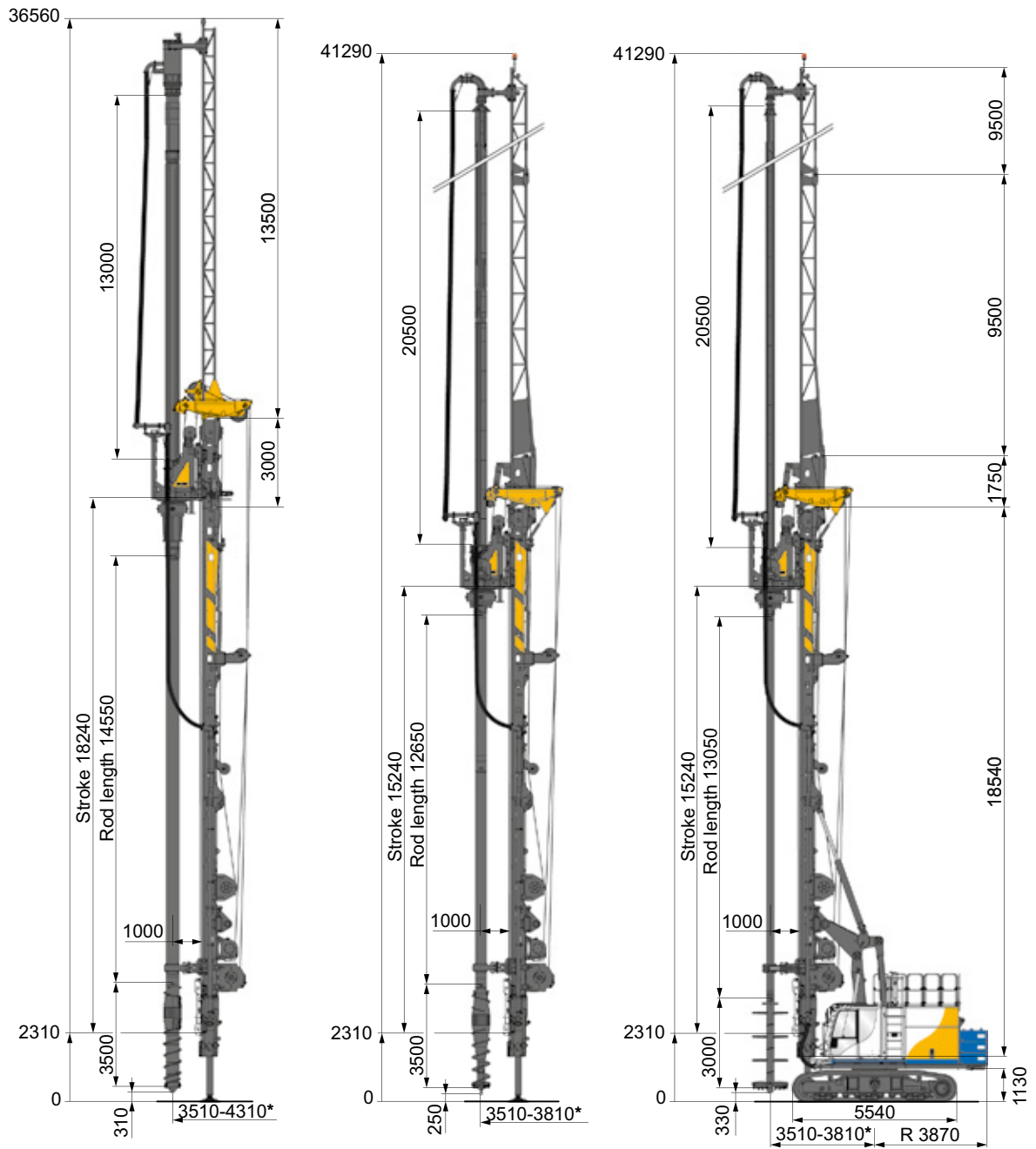
Kelly drilling with casing oscillator up to BV 1500





	Basic version	Upgraded version
Mast extension	3 m	3 m
Kelly extension	without	10.5 m
Max. drilling diameter	1,200 mm	1,200 mm
Drilling depth with Bauer rotary auger cleaner	16.9 m	27.4 m
Drilling depth with Bauer brush auger cleaner	17.9 m	28.4 m
Max. extraction force with main and crowd winch (effective)	730 kN	730 kN
with counterweight*	12.3 t	12.3 t

* depending on equipment



	FDP Lost-bit drilling Upgraded version	FDP drilling Upgraded version	SCM mixing Upgraded version
Mast extension	3 m	-	-
Kelly extension	13.0 m	20.5 m	20.5 m
Max. drilling diameter FDP	620 mm	620 mm	-
Max. mixing diameter SCM	-	-	2,500 mm**
Max. drilling depth FDP	30.7 m	34.8 m	-
Max. mixing depth SCM	-	-	34.8 m
Max. extraction force with main and crowd winch (effective)	730 kN	730 kN	730 kN
with counterweight*	14.7 t	12.3 t	12.3 t

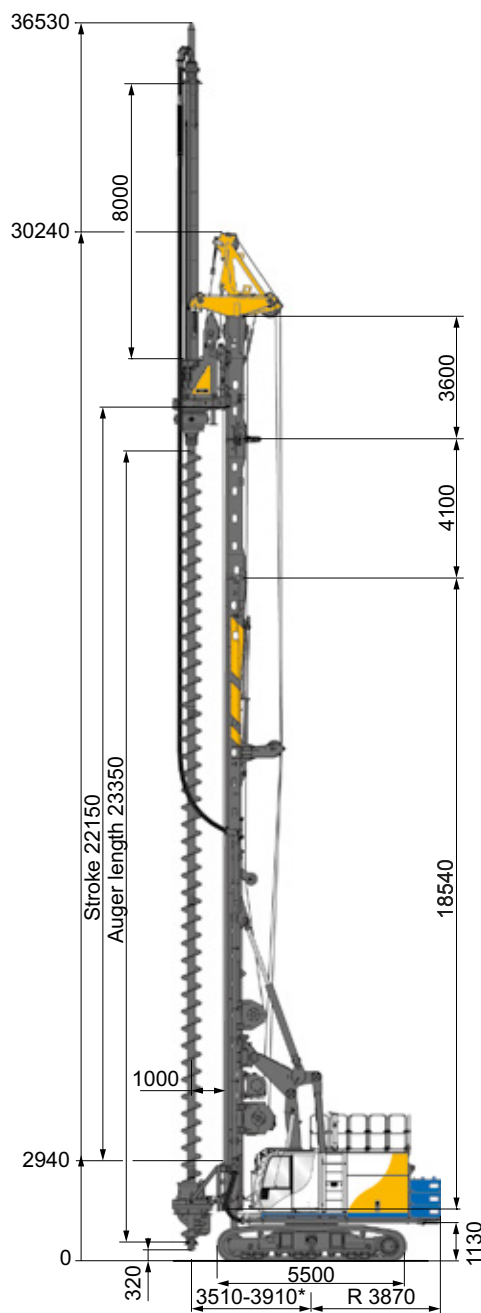
* depending on equipment

** operation only possible with restrictions



Highlights Extension Package Single Pass Extreme (SPEX)

- Expansion of the active feed by 7.7 m due to installation of an upper mast extension
- Further 8 m drilling depth, achievable due to following up with the Kelly extension
- Low investment costs due to the expansion of the standard equipment
- Compact transport dimensions due to the hydraulically foldable and lockable mast extension
- Optionally, the Remote Control Multi can be used to fold the mast extension
- Can be used in CFA, FDP and SCM mode



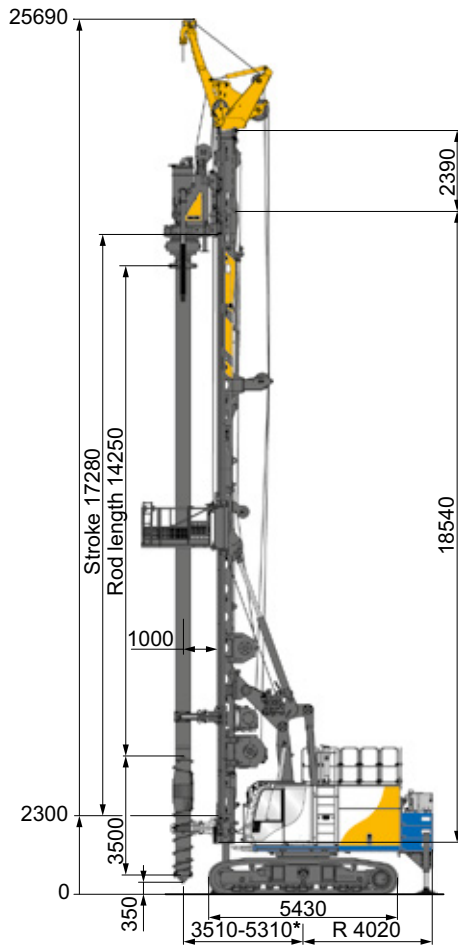
	CFA drilling		FDP drilling	SCM mixing
Kelly extension	without	8.0 m	8.0 m	8.0 m**
Max. drilling / mixing diameter	1,200 mm	880 mm	620 mm	1,700 mm
Max. drilling depth with Bauer rotary auger cleaner and Kelly extension	29.8 m		-	-
Max. drilling depth with Bauer brush auger cleaner and Kelly extension	31.0 m		-	-
Max. drilling / mixing diameter with casing guidance and Kelly extension	-		30.1 m	30.1 m
Max. extraction force with main and crowd winch (effective)*	565 kN		565 kN	565 kN
with counterweight*	14.7 t		14.7 t	14.7 t

* depending on equipment

** not recommended

Highlights of Handling Package for FDP Lost-Bit:

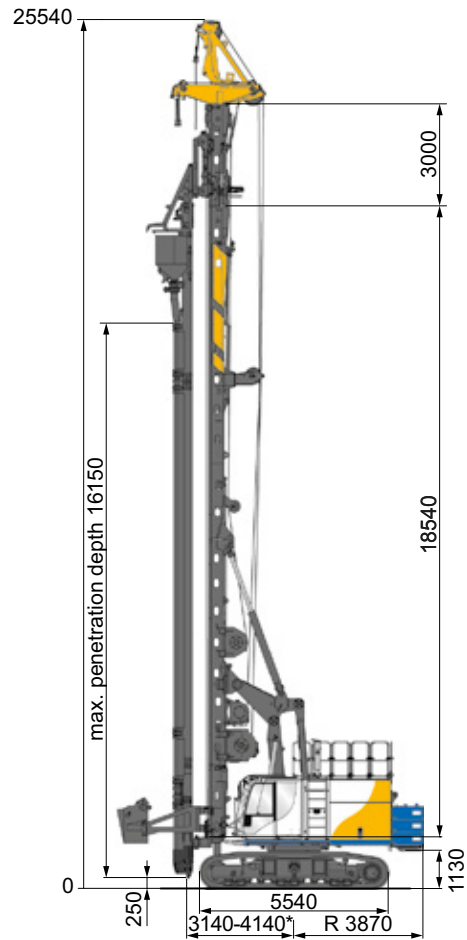
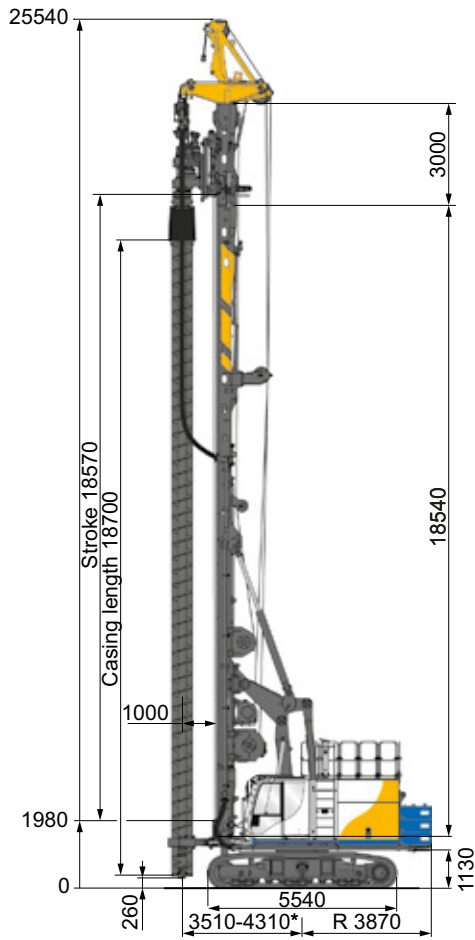
- Special mast head with auxiliary rope boom, which can be swivelled hydraulically in the drill axis
- Mast-guided personal hoist system with swivelling transport platform
- Concrete funnel with camera system and cleaning system on the rotary drive for de-pressurized concreting in FDP mode
- High-pressure cleaner with water tank integrated in the base carrier
- Hydraulic upper carriage support for stabilizing and lifting the machine
- Extra wide flat track shoes on the under carriage
- Advanced EEP hydraulic system for full parallel operation of drilling and auxiliary functions
- Large horizontal movement enables a smooth and trouble-free swivel motion



Operating weight 14,250 t
(as shown)

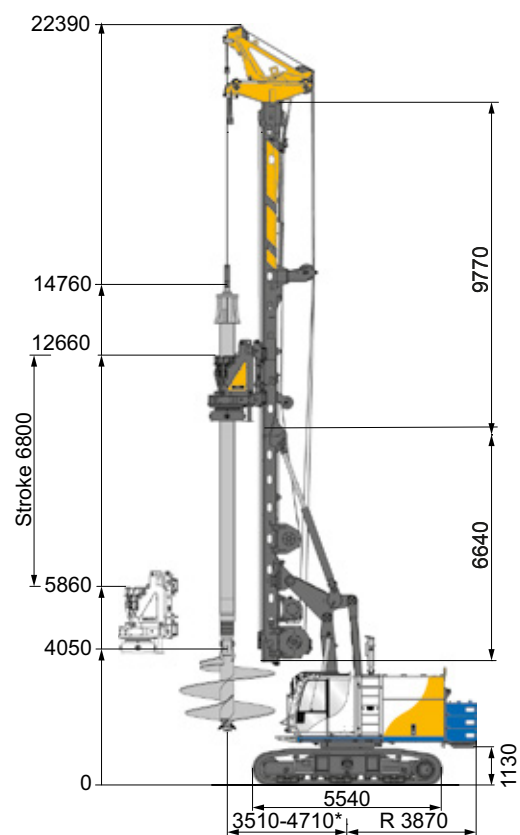
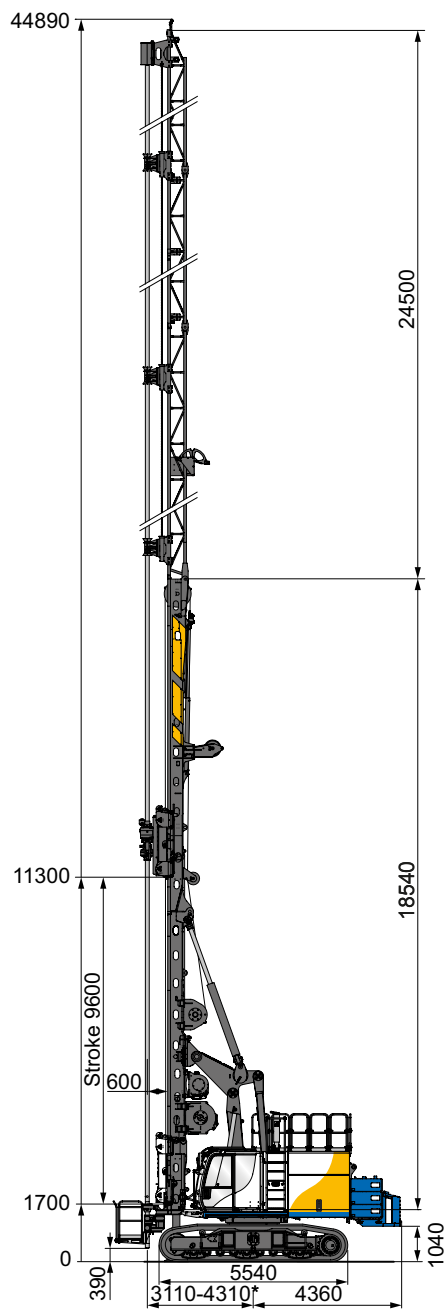
	FDP Lost-Bit drilling Handling Package
Max. drilling diameter	620 mm
Max. drilling depth	16.8 m
Max. extraction force with main and crowd winch (effective)	730 kN
with counterweight*	12.3 t

* depending on equipment



CCFA with FoW application DKS 70/140		Vibro Displacement (VD) Vibrator TR 17	
Torque auger/casing	50/140 kNm	Max. penetration depth	16.1 m
Mast extension	3 m	Pressure with crowd winch (effective)	110 kN
Max. drilling diameter	610 mm	Max. extraction force with crowd winch (effective)	330 kN
Max. drilling depth	18.1 m	with counterweight*	14.9 t
Max. extraction force with main and crowd winch (effective)	530 kN		
Ejection system	without		
with counterweight*	12.3 t		

* depending on equipment



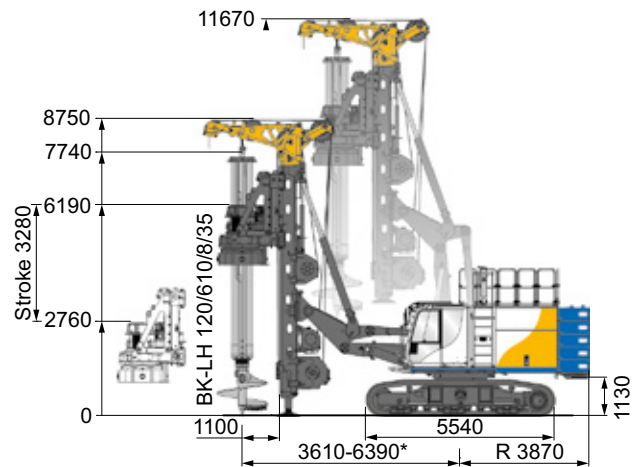
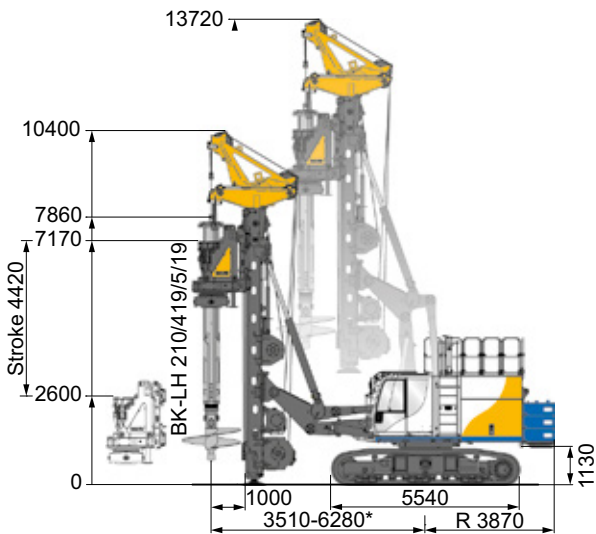
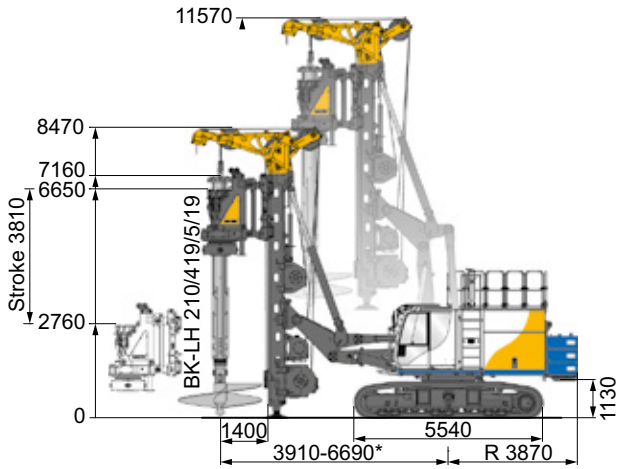
Jet Grouting	
Length of lattice mast	24.5 m
Max. rod diameter	89 - 133 mm
Max. jetting depth	35.3 m
Rotary drive	KDK 10/14 S
Max. extraction force with crowd winch (effective)	330 kN
with counterweight*	12.3 t

Giant Drill	
Lower mast extension	without
Drill axis	1,400 mm
Max. drilling diameter	3,800 mm
Max. drilling depth	-

* depending on equipment

Low Headroom System for large drilling depths:

- The BG 30 H low headroom drilling rig can also be configured for large drilling depths in limited headroom conditions.
- With the special Kelly bar BK-LH 120/610/8/35 drilling depths of up to 35.3 m can be achieved with a maximum drilling diameter of 2,500 mm.
- Equipped with the low headroom masthead, the rig has a minimum height of just 8.8 m. Alternatively, the height of the rig with the Kelly masthead is 10.8 m.
- The KDK 300 WP (max. 280 kNm for drilling) automatically reduces the torque to 120 kNm when the special Kelly bar BK-LH 120/610/8/35 is used. The full torque of 300 kNm is provided for cased drilling.



	Low Headroom System
Lower mast extension	-
Drill axis	1,000 / 1,400 mm
Max. drilling diameter	1,700 / 2,500 mm
Max. drilling depth	19.5 m

	Low Headroom System for large drilling depth	
Rotary drive	KDK 300 WP	
Drill axis	1,100 mm	1,400 mm
Max. drilling diameter	1,900 mm	2,500 mm
Max. drilling depth (BK-LH 120/610/8/35)	35.3 m	

* depending on equipment

G = Weight
B = Width, overall

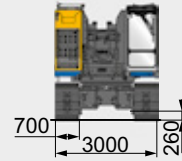
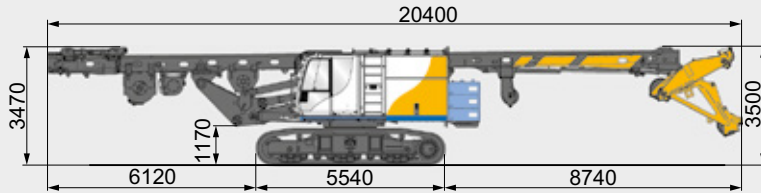
Weights shown are approximate values; optional equipment may change the overall weight and dimensions.

Transport with under carriage UW 85

Without mast extension*

G = 60.3 t

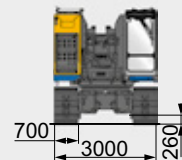
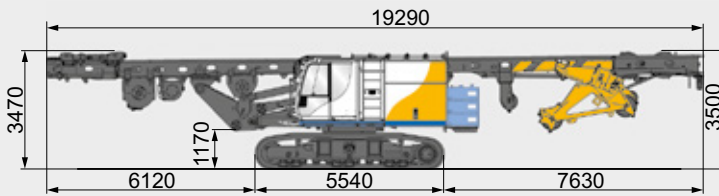
G = 72.6 t with 12.3 t counterweight



With mast extension*

G = 63.3 t

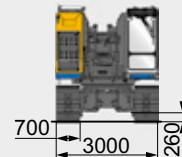
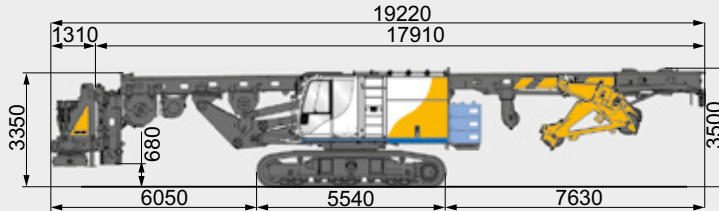
G = 75.6 t with 12.3 t counterweight



Lower mast section with rotary drive and folded mast extension

G = 68.8 t with rotary drive

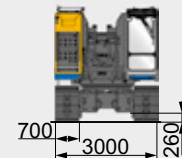
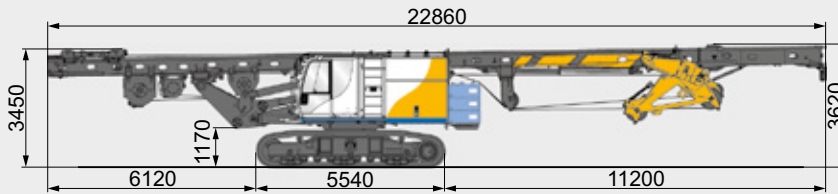
G = 81.1 t incl. rotary drive with 12.3 t counterweight



Extension Package Single Pass Extreme (SPEX)

G = 64.3 t

G = 79.0 t with 14.7 t counterweight



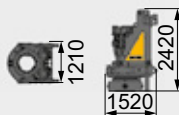
Counterweight**

G = 1 x 4.9 t + 2 x 2.5 t
B = 3,000 mm



Rotary drive

G = 5.5 t (KDK 300 S)



UW 85

Track shoes

Overall width of crawlers retracted / extended

700 mm	3,000 - 4,400 mm
800 mm	3,300 - 4,500 mm
900 mm	3,400 - 4,600 mm

* more weight with three-sectional mast approx. 500 kg

International Service Hotline

+800 1000 1200*

+49 8252 97-2888

BMA-Service@bauer.de

*toll-free number, where available

24/7



BAUER Maschinen GmbH
BAUER-Strasse 1
86529 Schrobenhausen
Germany
Phone: +49 8252 97-0
bma@bauer.de
www.bauer.de

Design developments and process improvements may require the specification and materials to be updated and changed without prior notice or liability. Illustrations may include optional equipment and not show all possible configurations. These and the technical data are provided as indicative information only, with any errors and misprints reserved.